

CODE NUMBER

24521002

DESCRIPTION

ST-2459 Water Closet and WES 111 Flushometer.

COMPONENTS

- Flushometer: Code
- Water Closet: Code 2102459

FIXTURE FEATURES

- White Vitreous China
- Elongated bowl
- Wall mounted, wall outlet
- Siphon jet flushing action achieves 1000g Map score when used with any Sloan flushometer
- Static load rating of 750 lbs (see Notes)
- Water spot area: 10 $\frac{1}{8}$ " x 9 $\frac{3}{8}$ " (26 cm x 24 cm)
- 1 $\frac{1}{2}$ " I.P.S. top spud inlet
- 2 $\frac{1}{8}$ " fully glazed trapway
- Closet bolts and caps included
- Toilet seat not included
- Static load rating of 750 lbs. (See Notes)



COMPLIANCES & CERTIFICATIONS



(BREEAM Materials Credit, BREEAM Water Credit, Carbon Neutral, EPD, Green Globes Materials & Resources Credit, Green Globes Water Credit, HPD, LEED Materials & Resources EPD Credit, LEED Materials & Resources HPD Credit, BAA Compliant)

DOWNLOADS

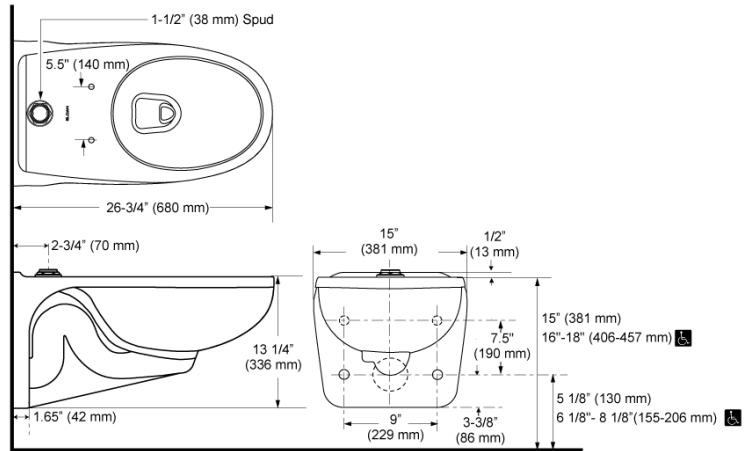
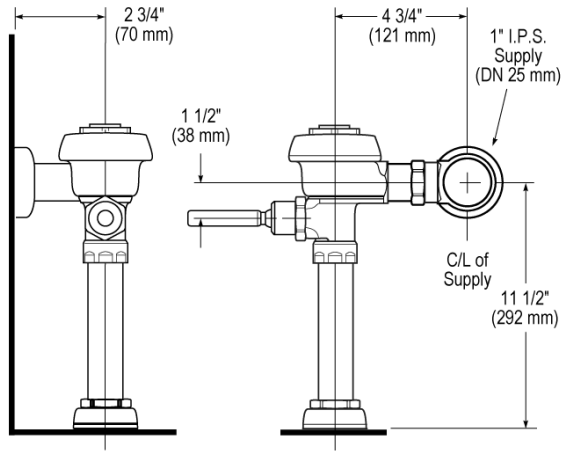
- [SS/ST/SU/WETS/WEUS Fixtures Repair and Maintenance Guide](#)
- [Additional Downloads](#)

NOTES

All information contained within this document subject to change without notice.

Static load tested according to the procedure outlined in Section 6.7 of ASME A112.19.2. Not recommended for bariatric use.

ROUGH-IN



Sloan 10500 Seymour Ave, Franklin Park, IL 60131
Phone: 800.982.5839 • Fax: 800.447.8329 • sloan.com